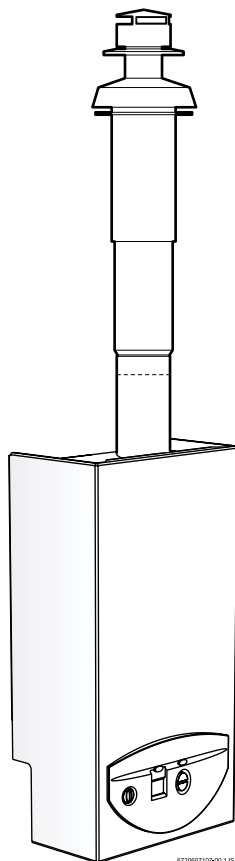


Flue Ducting Celsius/Celsius Plus



WT.11
WT.14

6 720 607 107 IT (03.10) JS

Indice

<hr/>	
Safety Instructions	2
<hr/>	
Explanation of Symbols	2
<hr/>	
1 Applicazione	3
1.1 Informazioni generali	3
1.2 Combination with Flue Duct Kits	3
<hr/>	
2 Fitting and Adjustments	5
2.1 Fitting Instructions	5
2.2 Explanation of Symbols on Fitting Diagrams	5
2.3 Choosing the Restrictor Plate	6
2.3.1 Horizontal Flue using AZ 266	6
2.3.2 Vertical Flue using AZ 262	6
2.3.3 Flue Configuration with Separate Flue and Air Pipes, using accessory AZ 298	7
<hr/>	
3 Horizontal twin pipe system, AZ 266	8
3.1 Minimum Space Requirements	8
3.2 Fitting AZ 266	8
3.3 Fitting the restrictor plate	10
<hr/>	
4 Vertical twin pipe system, AZ 262	11
4.1 Minimum Space Requirements	11
4.2 Fitting	12
4.3 Hinweise zur Montage über Dach	14
<hr/>	
5 Separate Flue and Air Pipes (AZ 298)	15
5.1 Minimum Space Requirements	15

Safety Instructions

Proper functioning of this product is only guaranteed if these installation instructions are correctly followed. Subject to alteration. Installation must be carried out by an approved installer. Installation of the boiler must be carried out in accordance with the appropriate installation instructions.

If you smell gas

- ▶ Switch off the boiler.
- ▶ Open windows and doors.
- ▶ Call your authorized installer.

Fitting and modifications

- ▶ Flue systems must not be modified in any ways other than as described in the fitting instructions.
- ▶ Do not modify any part of the flue system.
- ▶ Do not seal off or reduce the size of air vents in doors, windows or walls. If draught-sealed windows are installed, ensure there is an adequate supply of air to the appliance for combustion.

Explanation of Symbols



Notes in this instruction manual are identified by the symbol on the left. They are bordered by horizontal lines above and below the text.

1 Usage

1.1 General info

For the installation of the appliances and the flue system, be sure to observe the national standards and regulations.

CE Homologation

This flue accessory is an integrant part of the CE homologation. For this reason it is obligatory the use of original *JUNKERS* flue accessories.

EU Declaration of Conformity

This appliance conforms to the applicable requirements of the European Directives 90/396/EEC, 73/23/EEC,

89/336/EEC and EN667 and the design type described in the EU Type Approval Certificate.

Minimum distances to flammable materials

The surface temperature of the combustion air pipe is below 85 °C. According to the German regulations TRGI 1986/TRF 1988, this does not necessitate any minimum clearances from flammable materials. The regulations of the individual German Federal States (LBO, FeuVo) may differ and prescribe minimum clearances from flammable materials.

1.2 Combination with Flue Duct Kits

The appliance can be combined with the following flue duct kits in systems using concentric flue/air pipes:

Code	Twin Flue and Air Pipes system Ø 80/110 mm	TTNr
AZ 266	Complete set through the wall	7 719 001 785
AZ 262	Complete set through the roof	7 719 001 781
AZ 263	Extension Flue pipe L = 1000 mm	7 719 001 782
AZ 264	Extension Flue pipe L = 1500 mm	7 719 001 783
AZ 265	Extension Flue pipe L = 500 mm	7 719 001 784
AZ 267	Elbow 90°	7 719 001 786
AZ 268	Elbow 45°	7 719 001 785
AZ 136	Flat roof	7 719 000 838
AZ 137	Pitched roof	7 719 000 839
AZ 270		7 719 001 789
AZ 271		7 719 001 790
AZ 272	Adapter Ø60/90 - Ø80/110	7 719 001 791

Tab. 1

Code	Separate Flue and Air Pipes system Ø 80/110 mm	TTNr
AZ 298	Adapter Ø60/100 - Ø80/80 mm	7 719 001 957
AZ 280	Flue/Air pipe L = 500 mm	7 719 001 799
AZ 281	Flue/Air pipe L = 1000 mm	7 719 001 800
AZ 282	Flue/Air pipe L = 2000 mm	7 719 001 801
AZ 278	Elbow 90°	7 719 001 797
AZ 279	Elbow 45°	7 719 001 798
AZ 283	Termination	7 719 001 802

Tab. 2

Usage

Code	Separate Flue and Air Pipes system Ø 80/110 mm	TTNr
AZ 284	Ligação com condutas separadas de Ø 80 mm com recolha de água condensada	7 719 001 803
AZ 175	Convogliatore da Ø 80/80 mm a 80/125 mm, per scarico verticale (tipo C32)	7 719 001 027
AZ 262	Camino aspirazione/scarico Ø mm 80/125 o solo scarico Ø mm 80, verticale a tetto	7 719 001 781
AZ 136	Flat roof	7 719 000 838
AZ 137	Pitched roof	7 719 000 839
AZ 171		7 719 000 993
AZ 277	Kit sdoppiatore Ø 80 mm	7 719 001 603

Tab. 2

2 Fitting and Adjustments

2.1 Fitting Instructions

- The permissible maximum flue/air pipe length, L_{max} , for the various possible flue configurations is specified in the tables starting on page 6.
- If the concentric flue/air pipe enters a chimney below ground level, the appliance may register a fault and shut down in cold weather due to ice formation. For that reason such flue configurations should be avoided.

2.2 Explanation of Symbols on Fitting Diagrams



- ▶ Lightly grease seal on flue side with solvent-free grease (e.g. Vaseline) (Fig. 1).



- ▶ Push flue kit fully home (in this case: 50 mm insertion depth), (Fig. 2).



- ▶ Drill two 3-mm diameter holes in the combustion air pipe. Maximum drilling depth 8 mm. It is essential that flue pipe is not damaged! (Fig. 3).



- ▶ Secure joint with the screws supplied (Fig. 4).

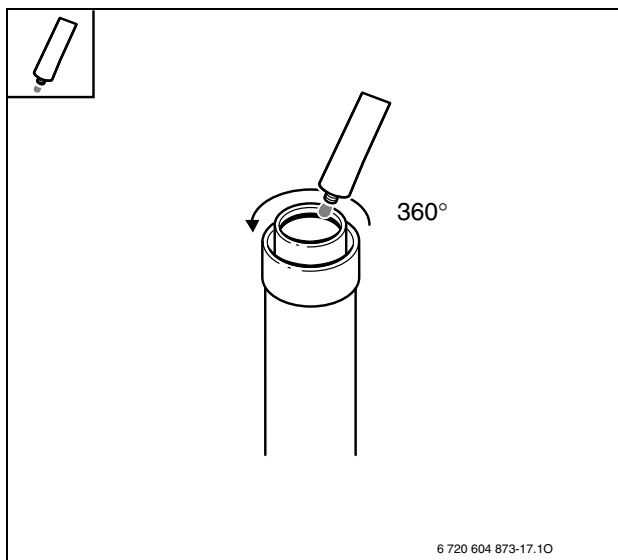


Fig. 1

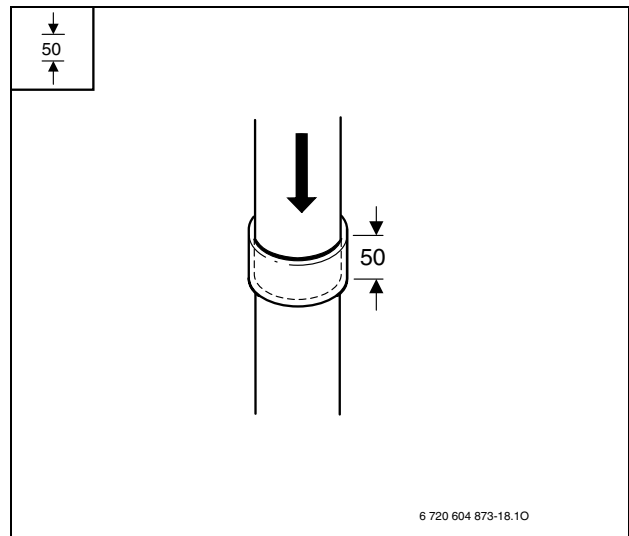


Fig. 2

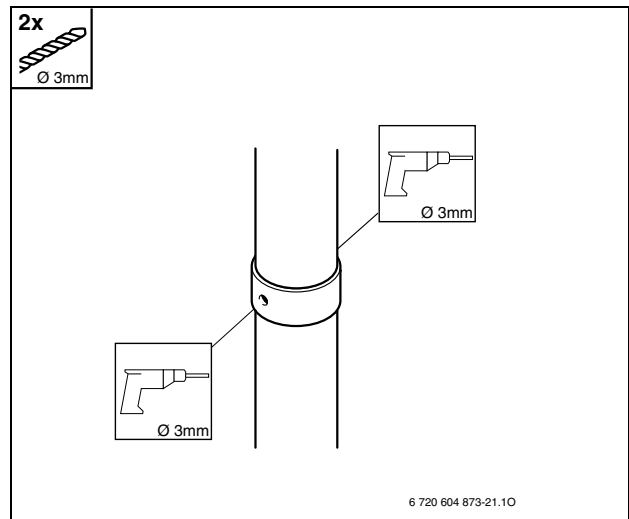


Fig. 3

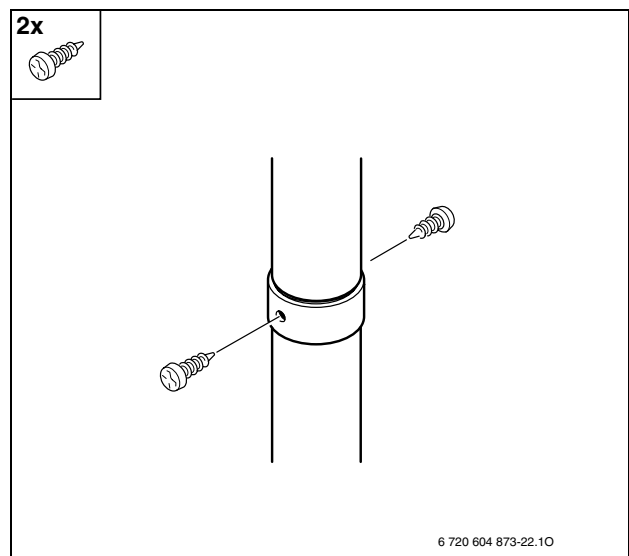




Fig. 4



2.3 Choosing the Restrictor Plate

2.3.1 Horizontal Flue using AZ 266 (Fig. 5).

	L [mm]	L _{max} [mm]		
			WT.11	WT.14
1 x 90°	≤ 2000	4000	-	Ø 52
	2000 - 4000		-	-
2 x 90°	≤ 2000	2000	-	-




Tab. 3

2.3.2 Vertical Flue using AZ 262 (Fig. 11, 12)

	L [mm]	L _{max} [mm]		
			WT.11	WT.14
0 x 90°	≤ 1850	3850	Ø 46	Ø 52
	1850 - 2850		Ø 52	Ø 56
	2850 - 3850		Ø 58	Ø 58
2 x 90°	2850	2850	Ø 58	Ø 58

Tab. 4

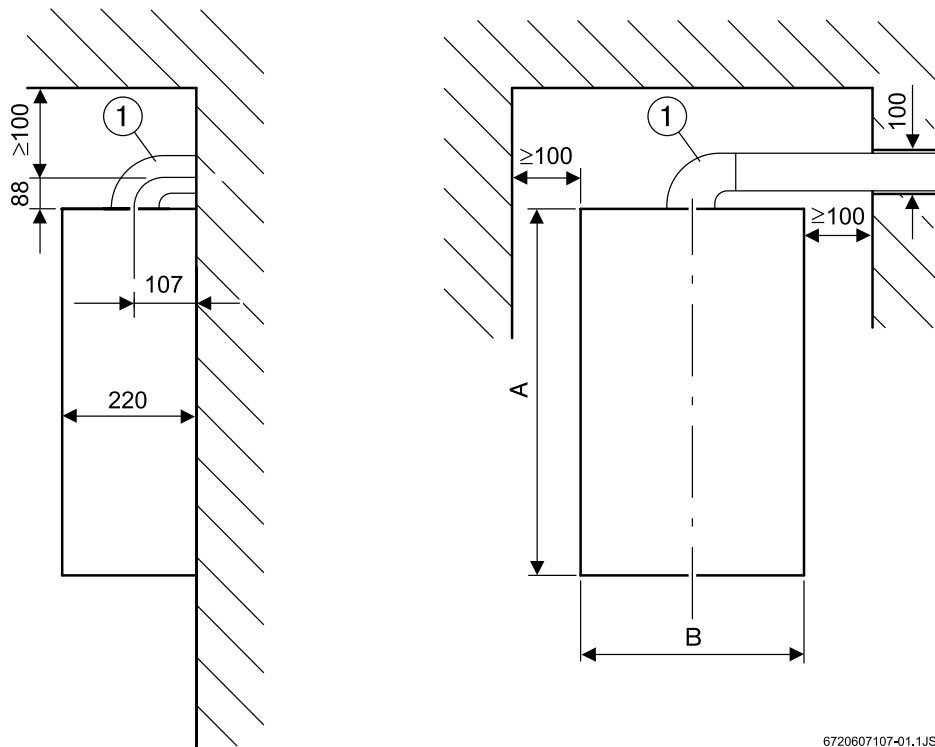
2.3.3 Flue Configuration with Separate Flue and Air Pipes, using accessory AZ 298

		L_{\min} Flue Pipe [m]	L_{\max} Flue Pipe [m]	L_{\min} Air pipe [m]	L_{\max} Air pipe [m]		
Type B₂₂, combustion air drawn from boiler room, vertical flue (Fig. 20, 21)							
						WT.11	WT.14
0 x 90°	-	1,3	12,3	-	-	Ø 54	Ø 54
2 x 90°		1,3	12,3			-	-
Type B₂₂, combustion air drawn from boiler room, horizontal flue (Fig. 22)							
1 x 90°	-	1	12	-	-	Ø 58	Ø 58
3 x 90°		3	12			-	-
Type C₁₂, horizontal air pipe, horizontal flue (Fig. 5, 23)							
1 x 90°	1 x 90°	1	12	-	-	Ø 58	Ø 58
Type C₃₂, vertical air pipe, vertical flue (Fig. 11, Fig. 19 and Fig. 27)							
0 x 90°	0 x 90°	2,3	12,3	2,3	12,3	Ø 54	Ø 54
Type C₅₂, horizontal air pipe, vertical flue (Fig. 25, 26)							
0 x 90°	1 x 90°	1,3	12,3	0,6	10	Ø 54	Ø 54
2 x 90°						-	-
Tipologia C₈₂ horizontal air pipe, horizontal flue (Fig. 24)							
1 x 90°	1 x 90°	1	10	0,15	8	-	-
1 x 90°	3 x 90°	1	9	3	6		
3 x 90°	1 x 90°	3	6	0,15	6		
3 x 90°	3 x 90°	3	3	3	3		

Tab. 5

3 Horizontal twin pipe system, AZ 266

3.1 Minimum Space Requirements



6720607107-01.1JS

Fig. 5

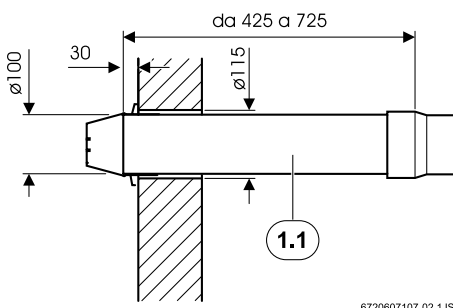
1: AZ 266

	WT.11	WT.14
A	670	700
B	340	390

Tab. 6

3.2 Fitting AZ 266

- Make a hole in the wall with a diameter of $\varnothing 115$ mm (check table chapter 2.3). Check instructions supplied with accessory AZ 315!

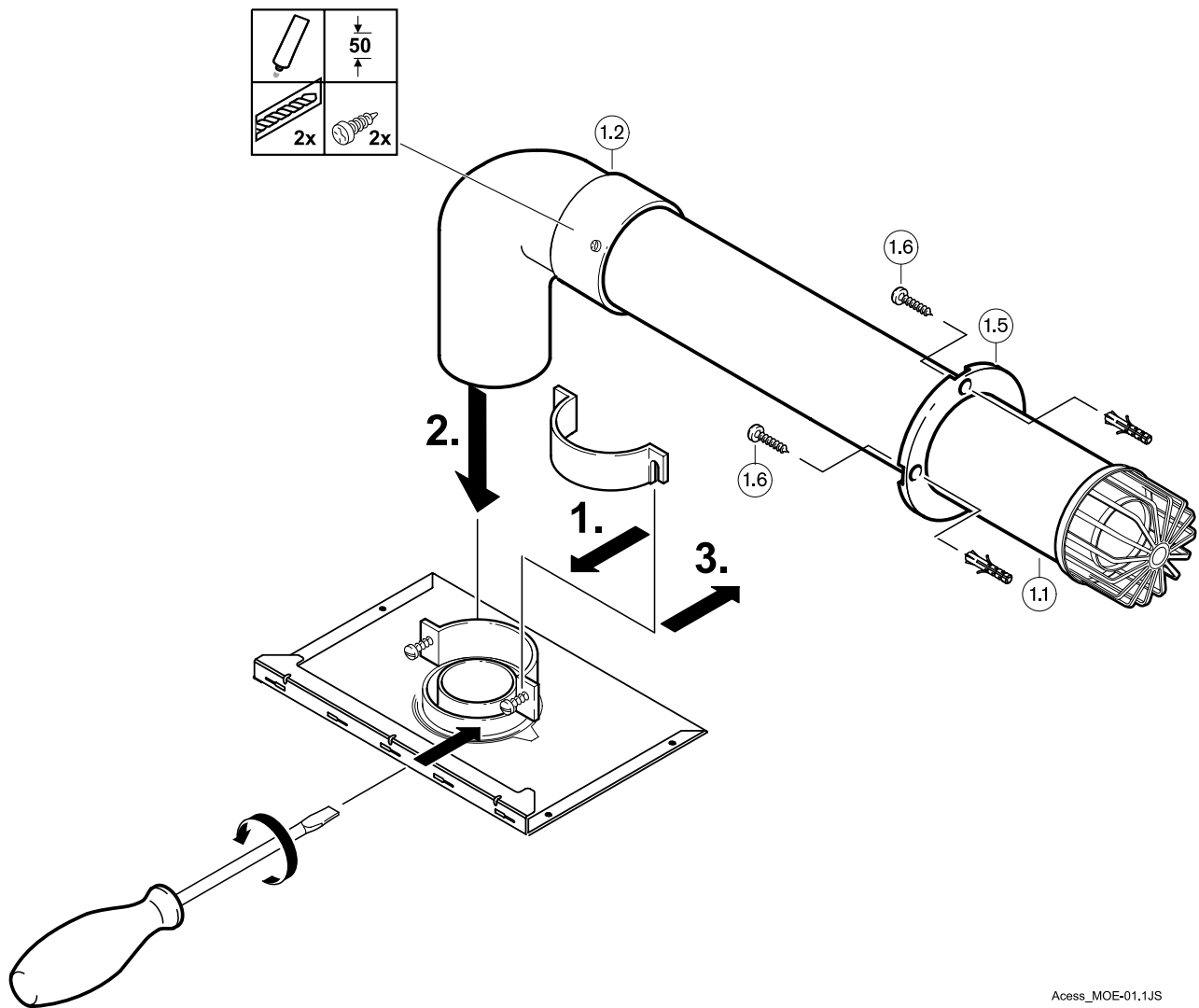


6720607107-02.1JS

Fig. 6

1.1: AZ 266

► Fit the flue kit (Fig. 7).



Access_MOE-01.1JS

Fig. 7

Key to Fig. 7:

- 1.1: Pasamuros
- 1.2: 90° concentric flue/air pipe elbow
- 1.5: Wall plate
- 1.6: Fixing screws and wall plugs

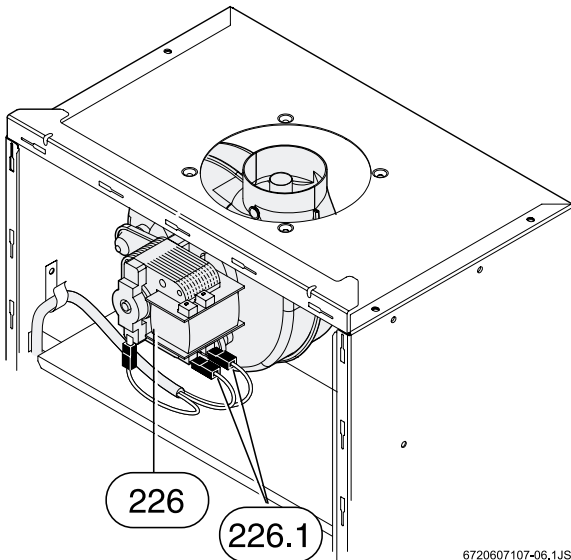
3.3 Fitting the restrictor plate

Depending on flue exhaust and installations conditions, a restrictor plate may need to be fitted under the fan.

In order to assure a good appliance functioning, correct restrictor plates should be used.

Proceed as follows:

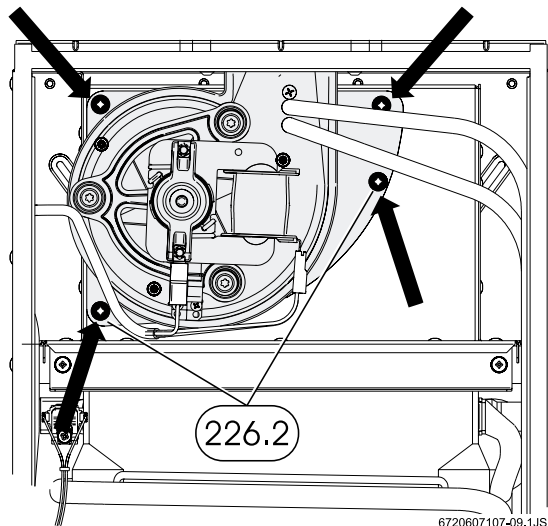
- ▶ Remove front cover.
- ▶ Undo all 3 connections (226.1) to the fan (226) (Fig. 8).



6720607107-06.1JS

Fig. 8

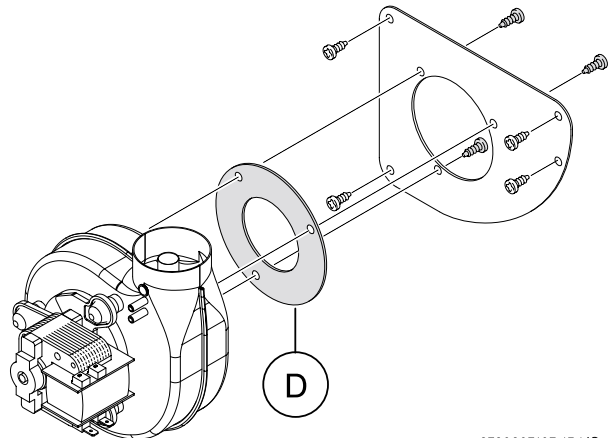
- ▶ Loosen fan plate fixing screws (226.2) and remove the fan (226) (Fig. 9).



6720607107-09.1JS

Fig. 9

- ▶ Place restrictor plate (D) between the fan plate (Fig. 10) and the fan (226).



6720607107-15.1JS

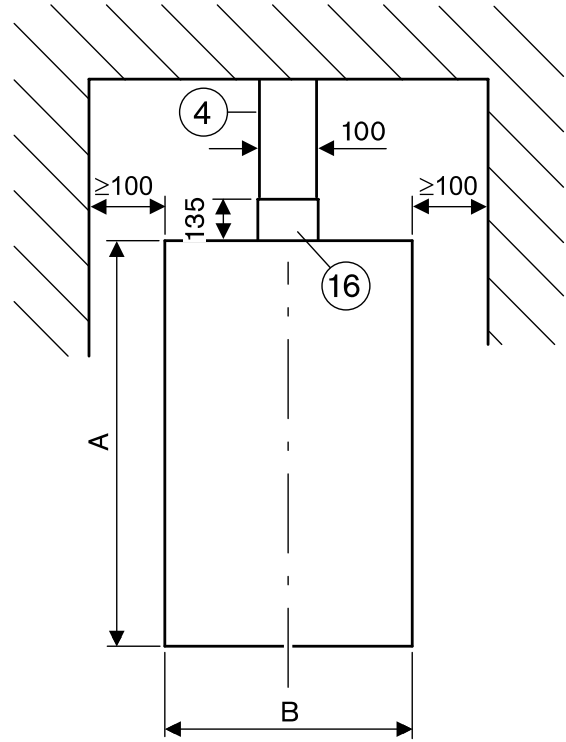
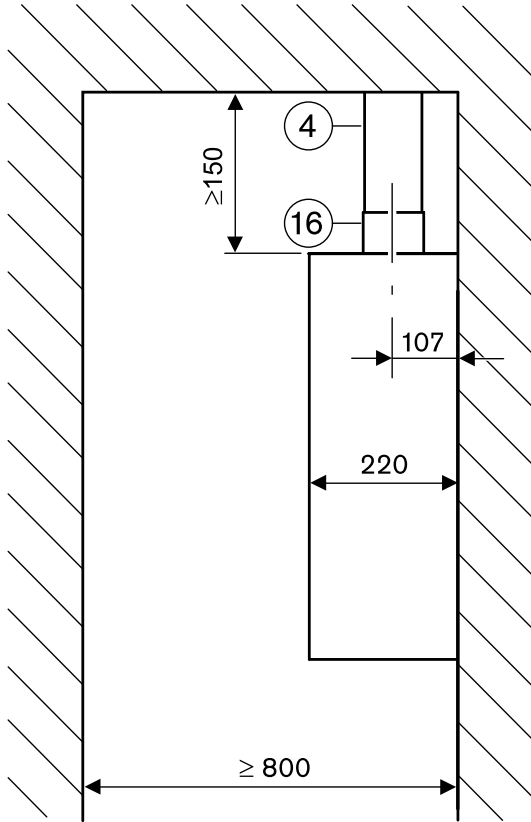
Fig. 10

- ▶ Assemble the fan (226) to the appliance and redo all 3 electrical connections.
- ▶ Assemble front cover.

4 Vertical twin pipe system, AZ 262

4.1 Minimum Space Requirements

Flat roof AZ 136



6720607107-03.1JS

Fig. 11

4: AZ 321

16: AZ 272

	WT.11	WT.14
A	670	700
B	340	390

Tab. 7

Pitched roof AZ 137

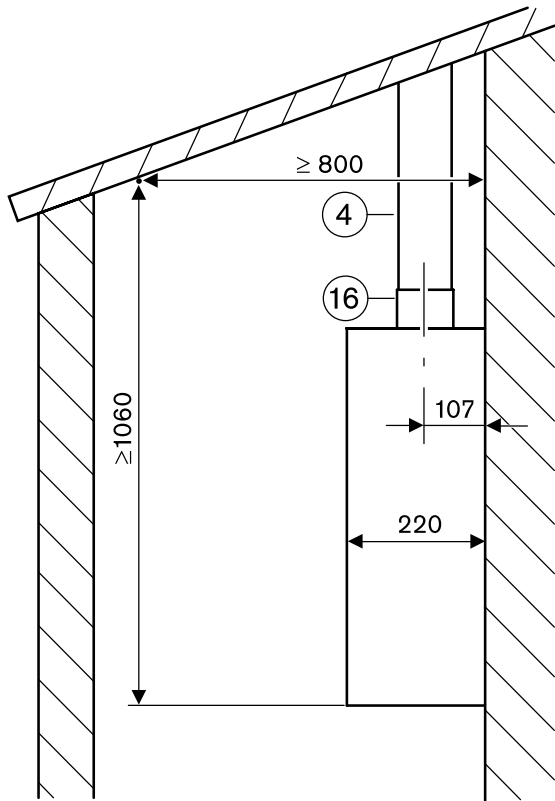
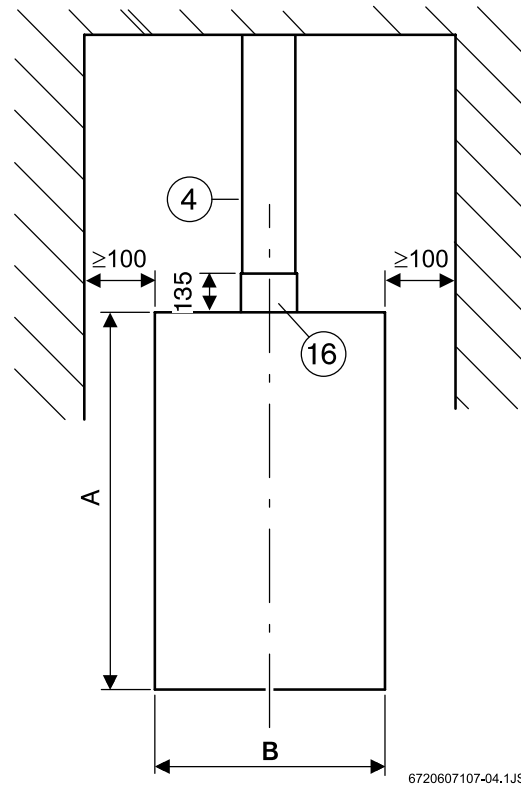


Fig. 12

4: AZ 262



6720607107-04.1JS

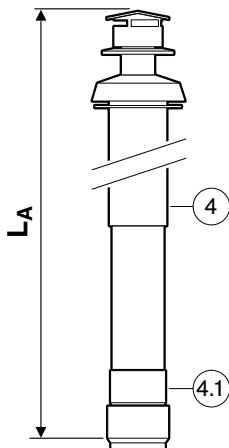
16: AZ 272

	WT.11	WT.14
A	670	700
B	340	390

Tab. 8

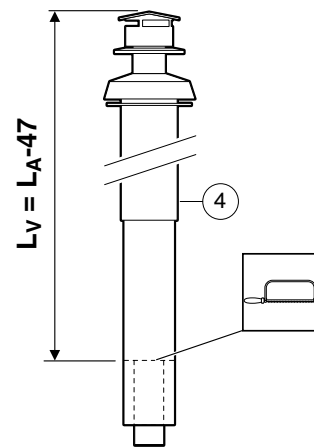
4.2 Fitting

- ▶ Fit the appliance as per installation instructions.
- ▶ Determine required length L_A of roof terminal assembly (4).
- ▶ Remove adapter (4.1).
- ▶ Cut air pipe of roof terminal assembly (4) to the length $L_V = L_A - 47$, taking care to cut the pipe at right-angles.



6 720 604 882-24.20

Fig. 13



6 720 604 882-37.10

Fig. 14

- ▶ Cut flue pipe of roof terminal assembly (4) to the length L_A taking care to cut the pipe at right-angles.

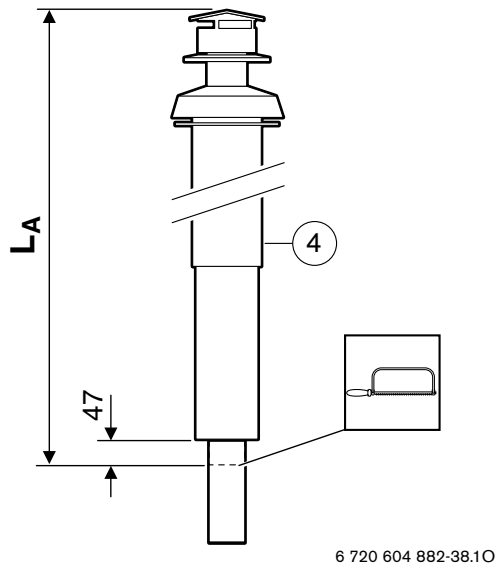


Fig. 15

- ▶ Debur and clean the cut edges.

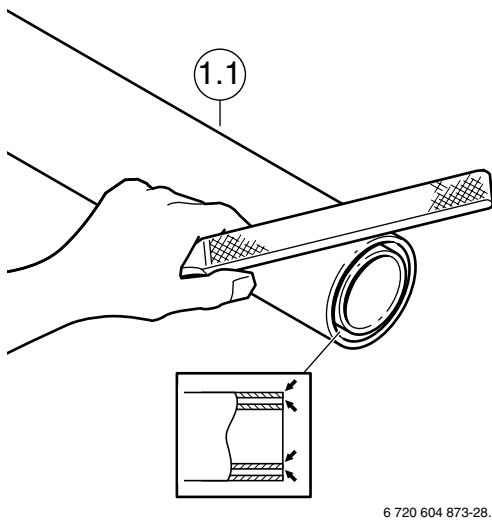


Fig. 16

- ▶ Fit the adapter (4.1) according to the instructions.

- ▶ Fit the flue kit.

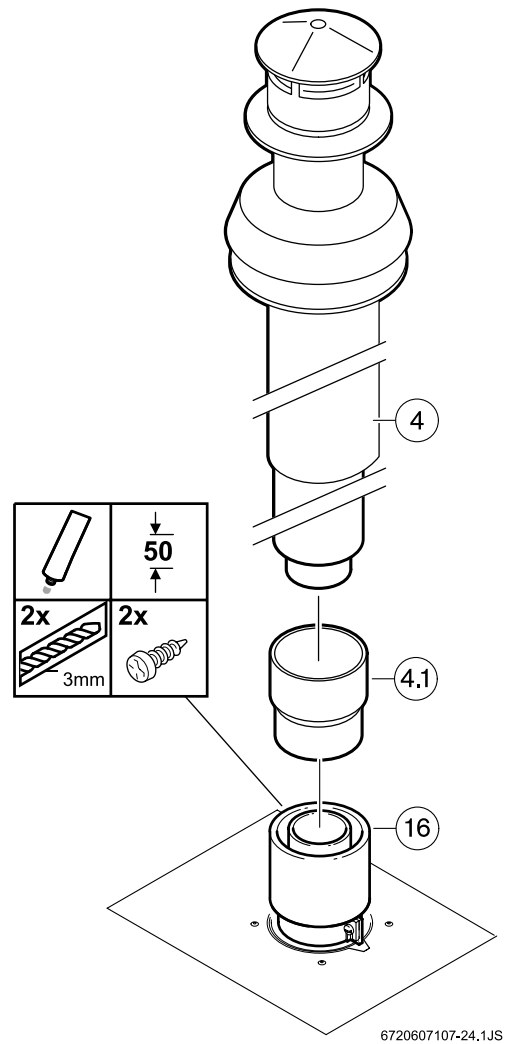


Fig. 17

4.3 Hinweise zur Montage über Dach

Schrägdach

Die Montage des AZ 262 bei Schrägdach kann mit der Junkers Schrägdachpfanne (AZ 137) erfolgen:

- Die Schrägdachpfanne kann für Dachneigungen von 25° - 50° eingesetzt werden.

Abstandsmaße:

Z	≥ 400, in schneereichen Gebieten ≥ 500
α	≤ 50°, in schneereichen Gebieten ≤ 40°

Tab. 9

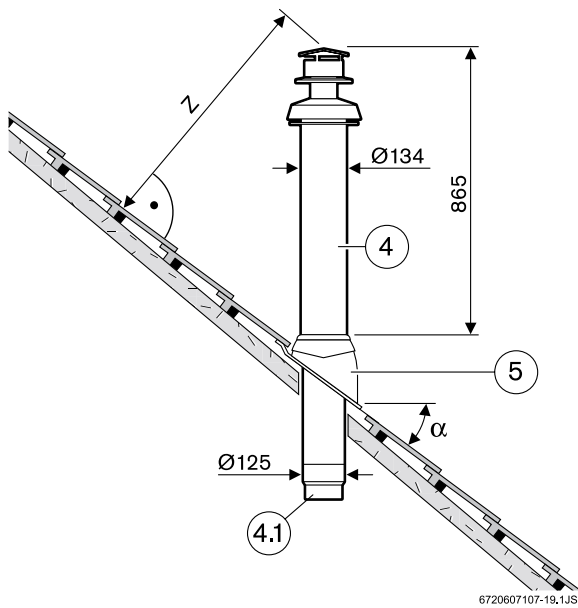


Fig. 18

- 4: AZ 262
- 4.1: Adapter
- 5: AZ 137
- 17: AZ 136

Flachdach

Die Montage des AZ 262 bei Flachdach kann mit dem Flachdachflansch (AZ 136) erfolgen:

- Der Klebeflansch (17) muss mit den hochpolymeren Dachbahnen verklebt oder in die Dachhaut eingegossen werden. Ein Einsatz bei loser Verlegung ist nicht zulässig.
- Das AZ 136 kann nicht bei Warmdach eingesetzt werden.

Abstandsmaße:

	brennbare Baustoffe	nicht brennbare Baustoffe
X	≥ 1500	≥ 500

Tab. 10

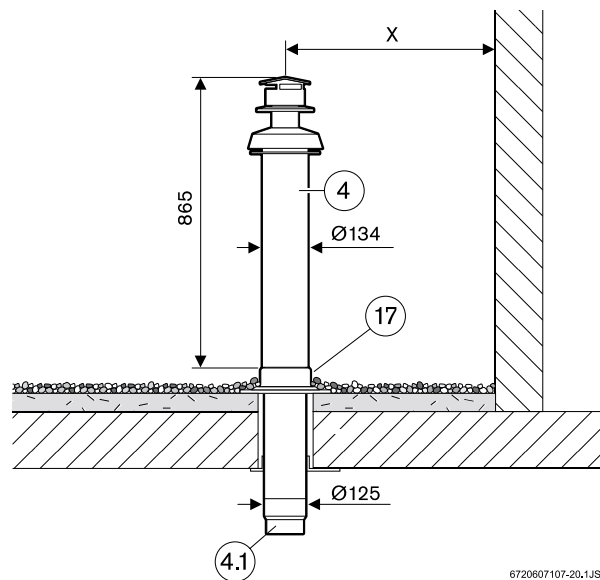


Fig. 19

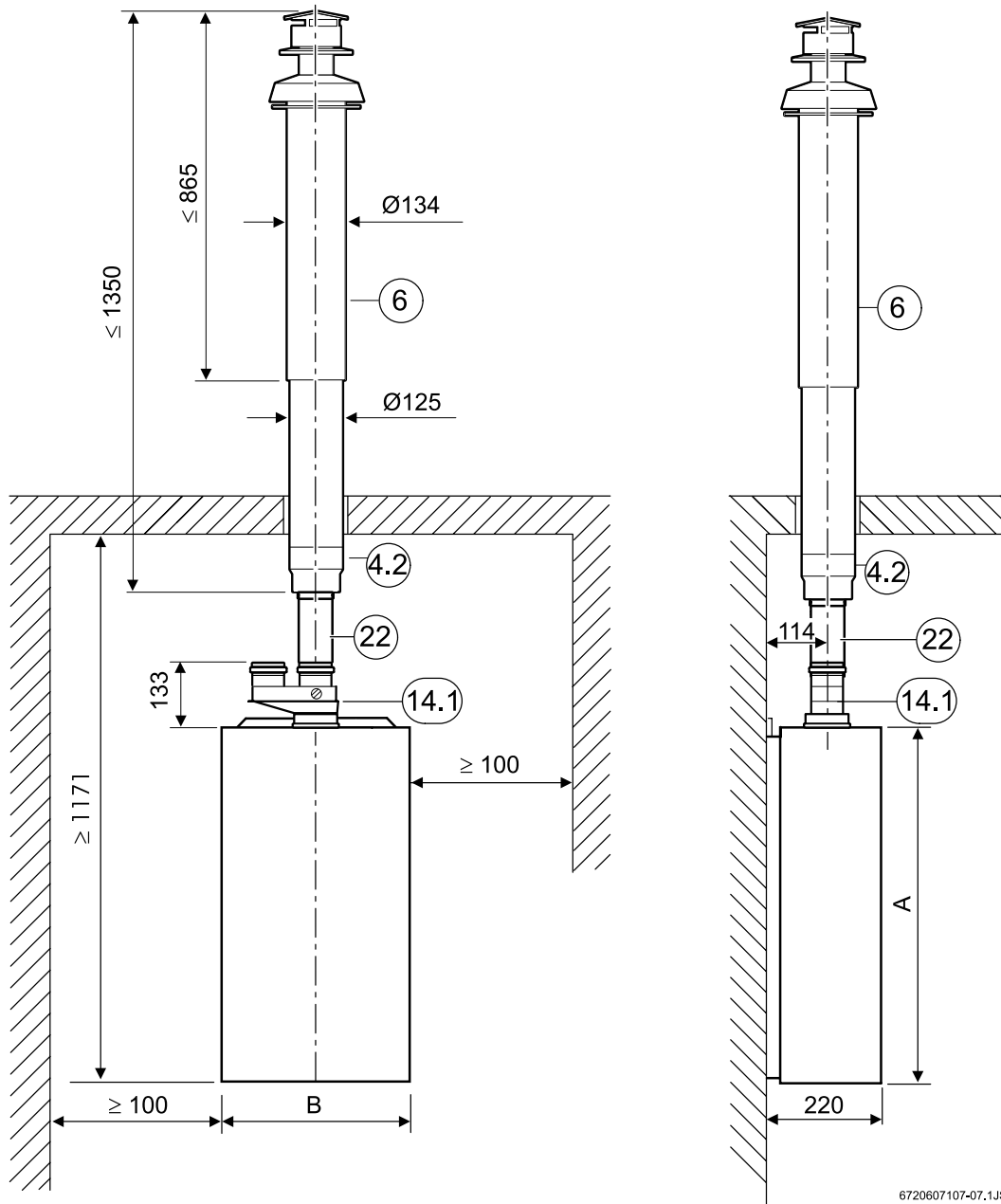
5 Separate Flue and Air Pipes (AZ 298)

5.1 Minimum Space Requirements

Flue configuration type B₂₂

Combustion air: drawn from installation room

Flue: vertical



6720607107-07.1JS

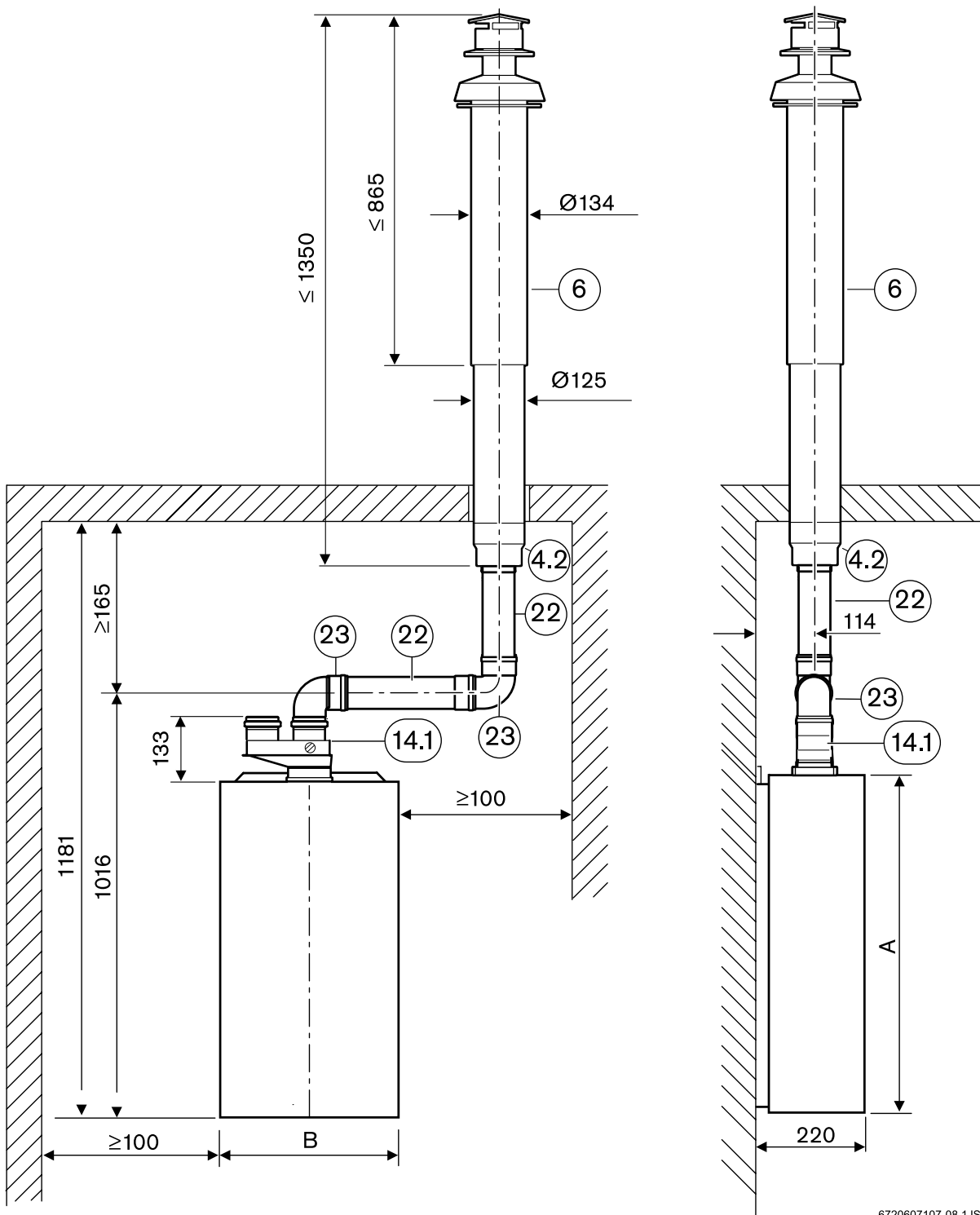
Fig. 20

4.2: Adapter Ø 80/110 to Ø 80/125 mm
6: AZ 262

14.1: AZ 298
22: AZ 280, 281, 282

	WT.11	WT.14
A	670	700
B	340	390

Tab. 11



6720607107-08.1JS

Fig. 21

- 4.2: Adapter Ø 80/110 to Ø 80/125 mm
- 6: AZ 262
- 14.1: AZ 298

- 22: AZ 280, 281, 282
- 23: AZ 278 90° elbow

	WT.11	WT.14
A	670	700
B	340	390

Tab. 12

Flue configuration type B₂₂
Combustion air: drawn from boiler room
Flue: horizontal

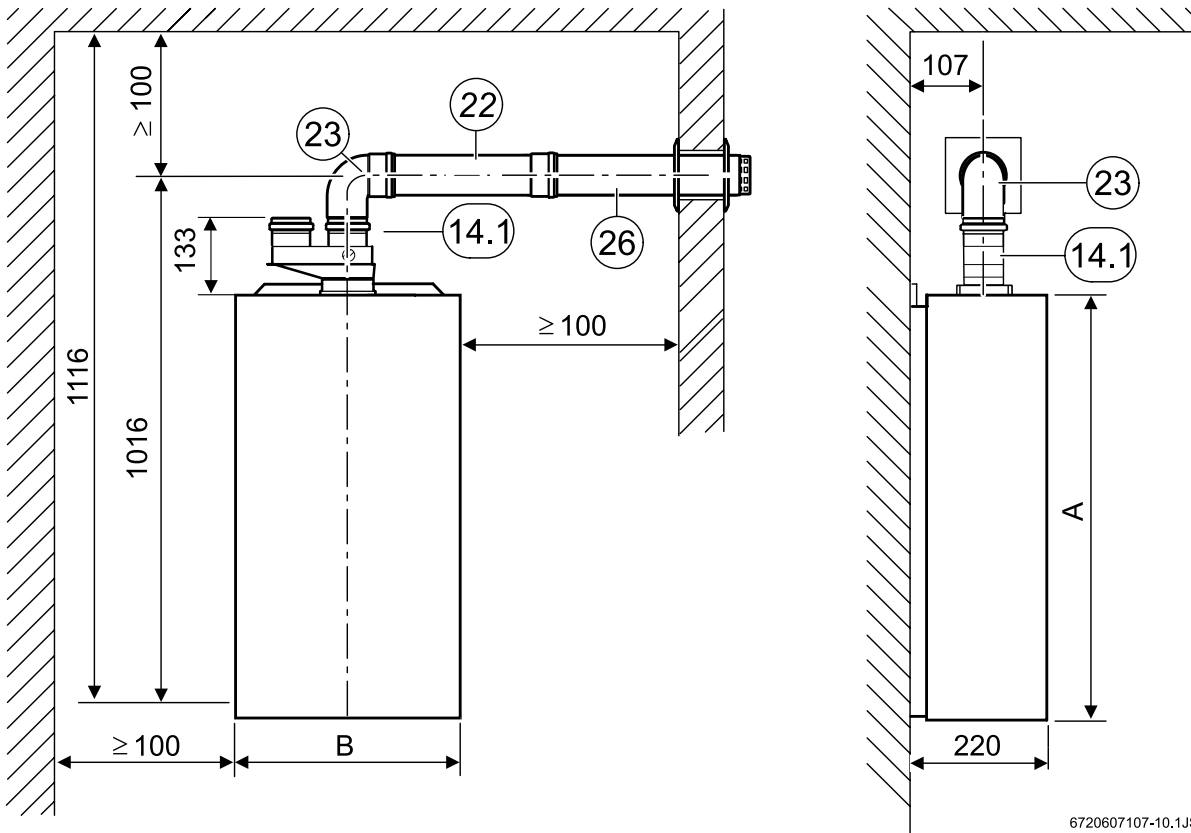


Fig. 22

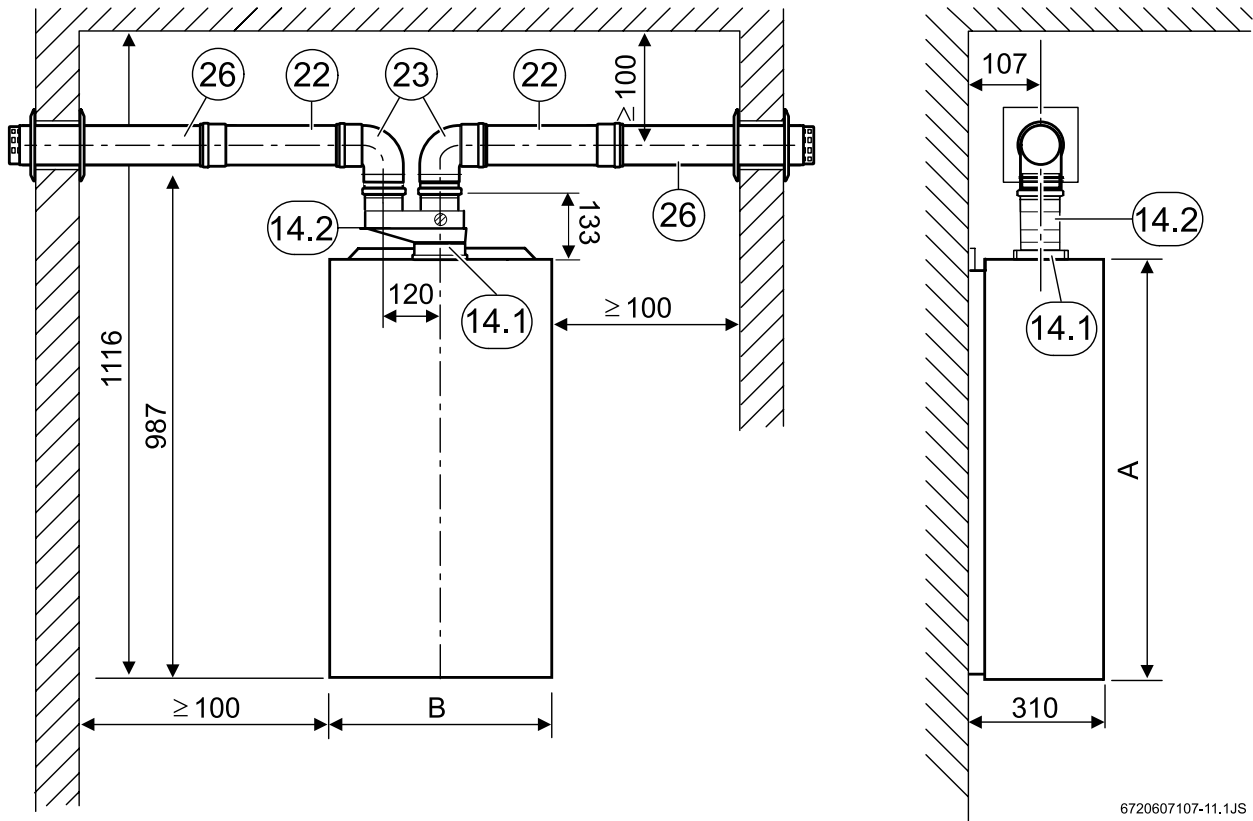
14.1: AZ 298
 22: AZ 280, 281, 282

23: AZ 278
 26: AZ 283

	WT.11	WT.14
A	670	700
B	340	390

Tab. 13

Flue configuration type C₃₂
Combustion air: horizontal drawn from outside
Flue: vertical drawn from outside



6720607107-11.1JS

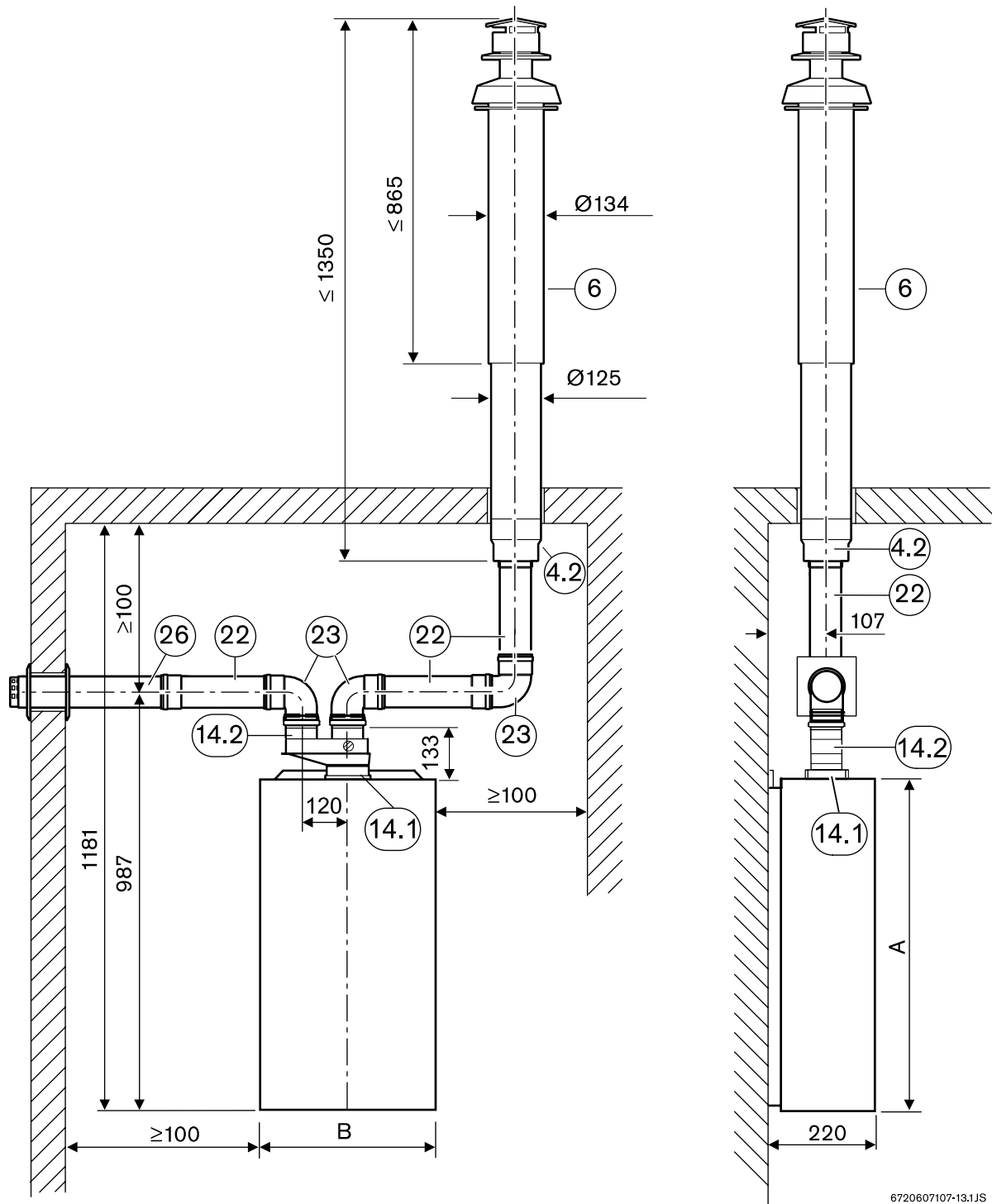
Fig. 24

14: AZ 298
 22: AZ 280, 281, 282

23: AZ 278
 26: AZ 283

	WT.11	WT.14
A	670	700
B	340	390

Tab. 15



6720607107-13.1JS

Fig. 26

4.2: Adapter (AZ 262)

6: AZ 262

14.1/14.2: AZ 298

22: AZ 280, 281, 282

23: AZ 278

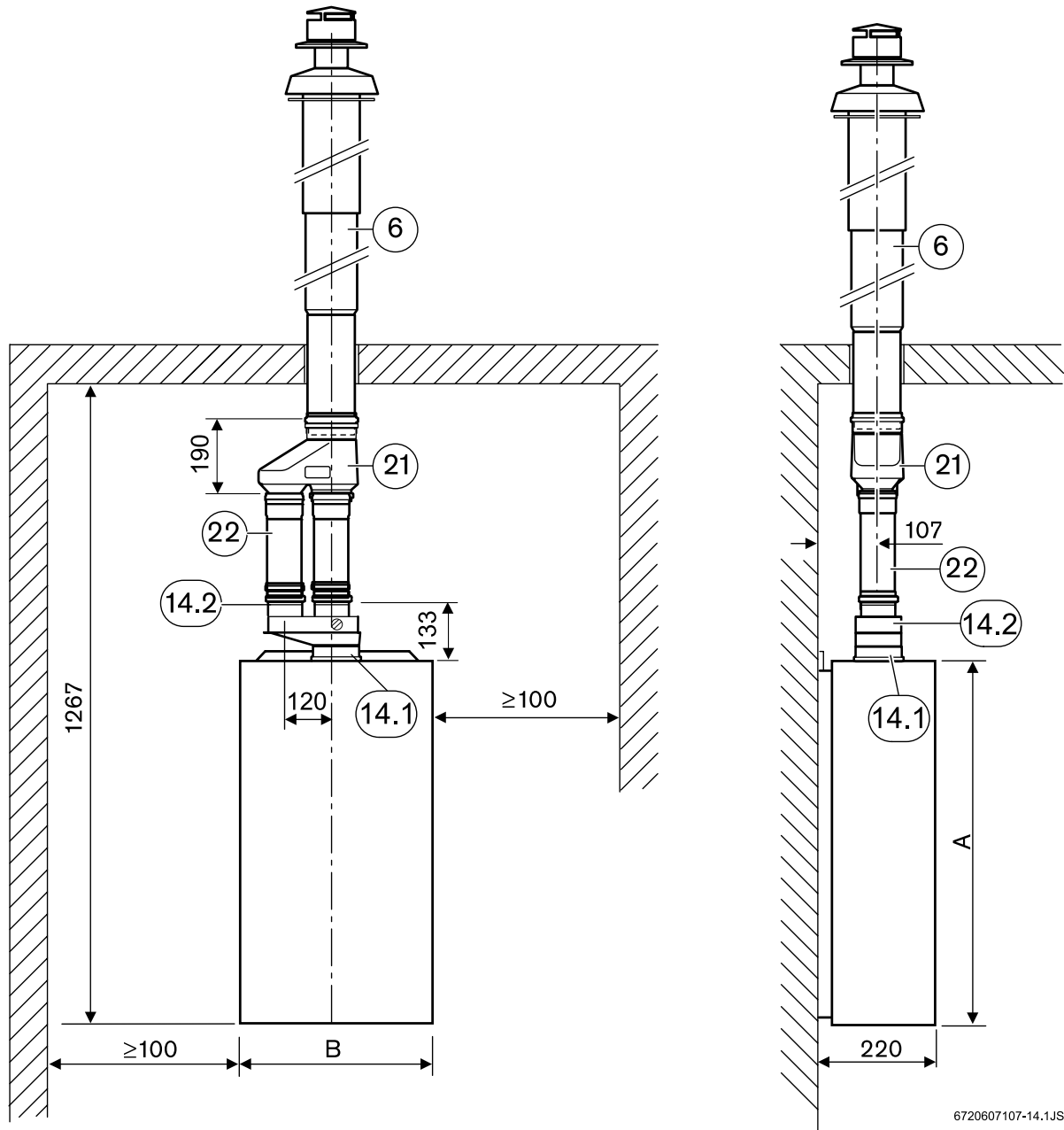
26: AZ 283

	WT.11	WT.14
A	670	700
B	340	390

Tab. 17

Flue configuration type C₃₂
Combustion air: vertical drawn from outside
Flue: vertical drawn from outside

i A maximum horizontal length of flue piping of 2 m is permitted. Flue pipes over 10 m in length must be insulated.



6720607107-14.1JS

Fig. 27

6: AZ 262
 21: AZ 175

22: AZ 280, 281, 282
 14.1/14.2: AZ 298

	WT.11	WT.14
A	670	700
B	340	390

Tab. 18



Robert Bosch S.p.A
Settore Termotecnica
Via M.A. Colonna, 35
20149 Milano
Tel 02/ 3696 2805
Fax 02/3696 2561
WWW.junkers.it